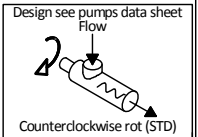
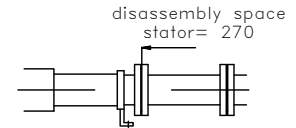
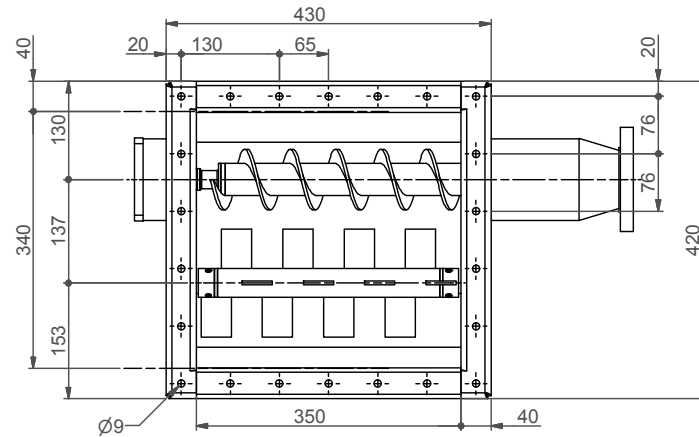
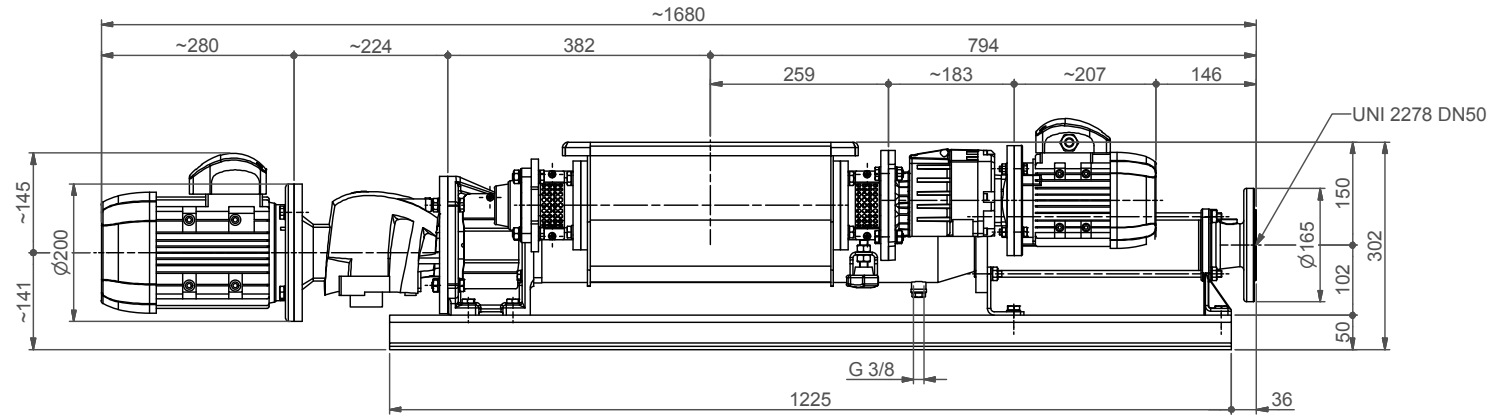
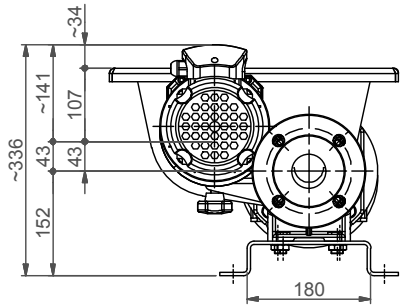
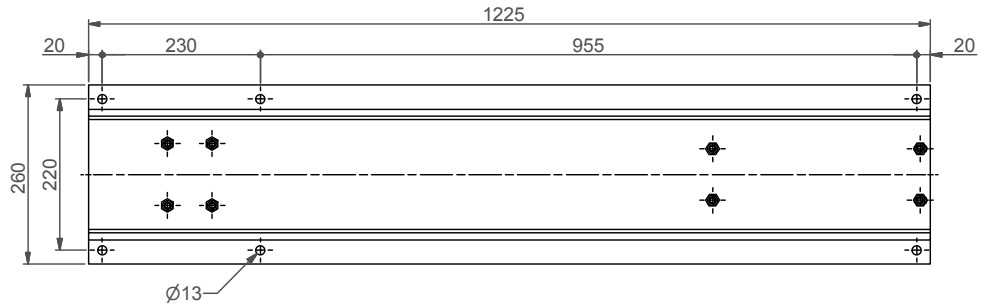


C.W.M. S.R.L.



Replacement for:

TYPE: **CD03-1**

Denomination:

Dimensional Drawing

Replacement by:

Drawn: Gm

Date:

Check: GM

Date: 17/03/2014

Scale: 1:11



Weight: 116 kg

Sheet 1 of 1

General Tolerances ISO 2768-v
Geometrical tolerance and roughness ISO 1302